

March 4, 2021

ADDENDUM NO. 1

To Prospective Bidders:

LOWELL

LOWELL CONNECTOR TRAIL

The Lowell Connector Trail project bid documents have been updated to include the following changes:

- The addition of Add Alternate 1 to include a traffic sign summary.

To accommodate these updates, we are transmitting changes to the Contract Documents as follows:

RESPONSE TO CONTRACTOR QUESTIONS (Addendum 1 – Attachment 1): 1 page

BID PLANS (Addendum 1 – Attachment 2): Edited Sheet 5

Please take note of the above, substitute the revised pages and document for the originals, and acknowledge Addendum No. 1 in your Proposal before submitting your bid.

Respectfully Submitted,



TEC, Inc.
Jake P. Carmody, P.E.
Project Manager

Addendum 1 - Attachment 1
Response to Contractor
Questions

LOWELL

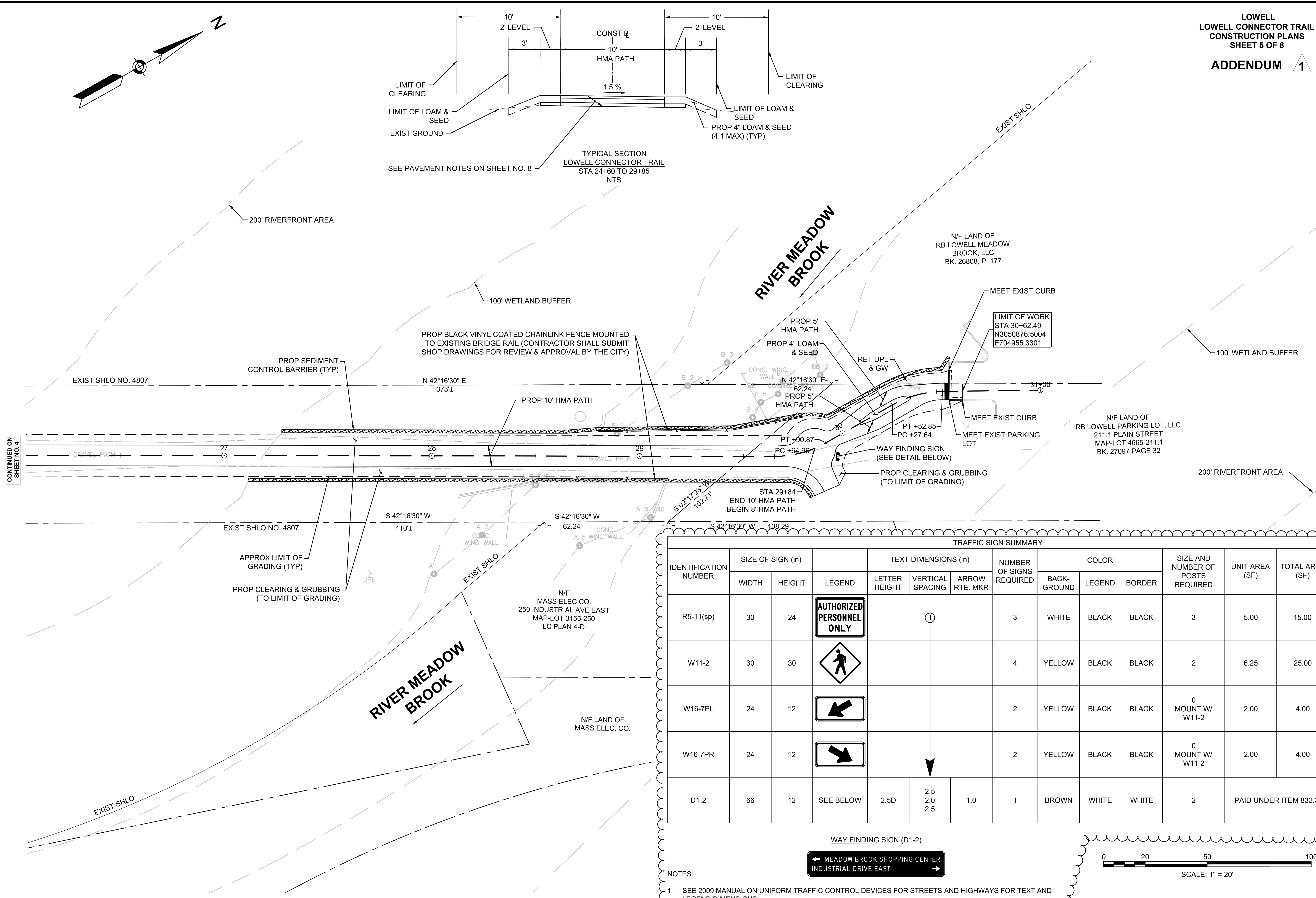
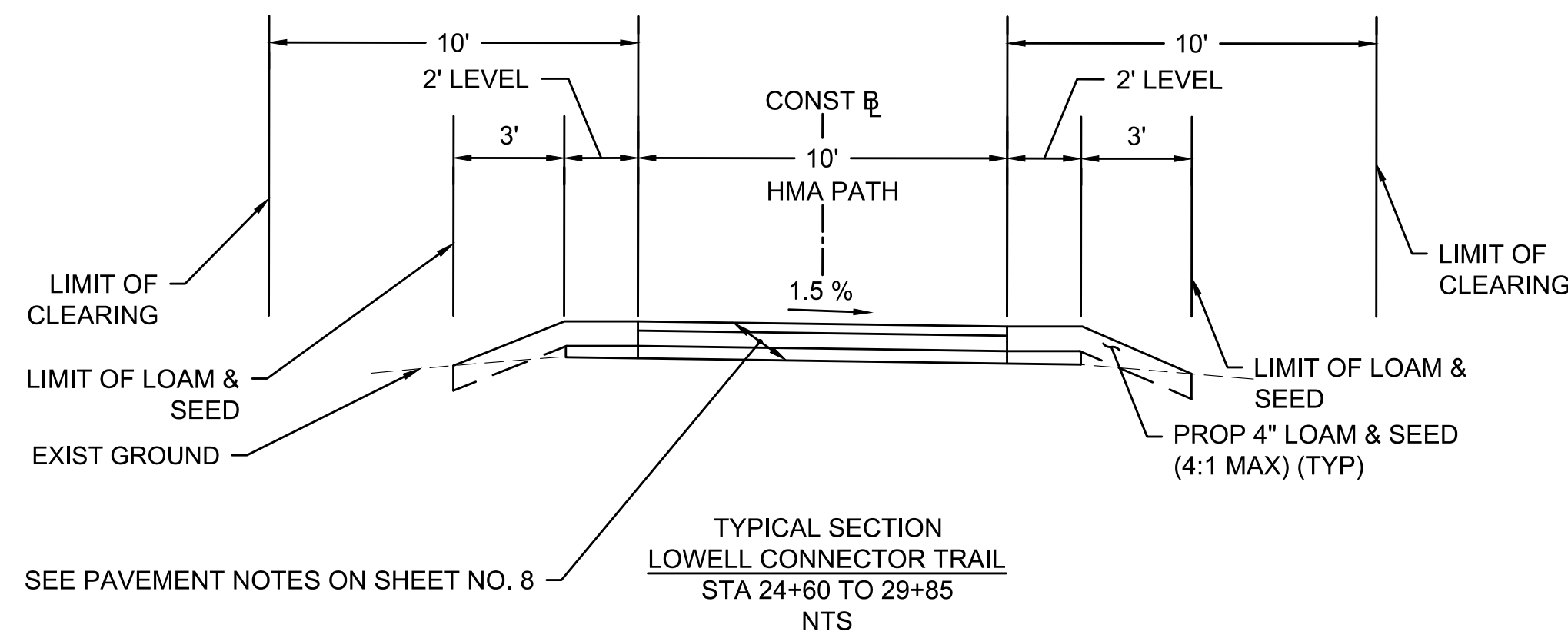
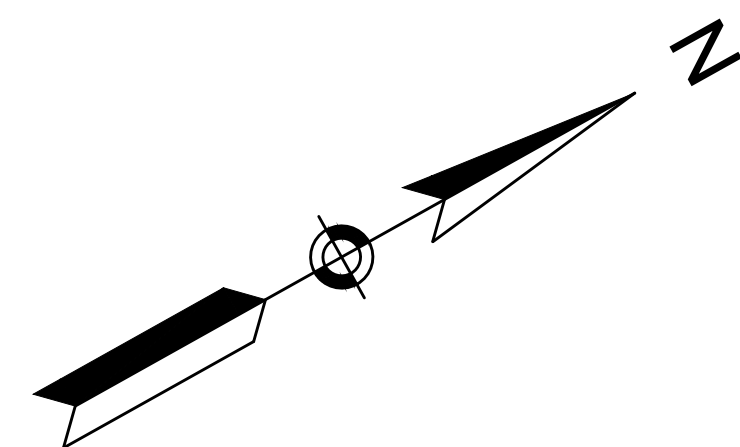
LOWELL CONNECTOR TRAIL

RESPONSE TO CONTRACTOR QUESTIONS ADDENDUM NO. 1, MARCH 4, 2021

Question #1 (via email): I was not able to find the dimension for the “Pedestrian Wayfinding Sign” neither in the detail, specs or MassDOT Std’s. Could that be provided?

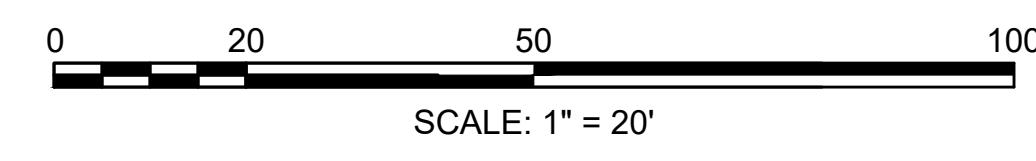
Response #1: A sign summary has been included that includes the pedestrian wayfinding sign and other signs located on the plans.

Addendum 1 - Attachment 2
Bid Plans Sheet 5



CONTINUED ON SHEET NO. 4

TRAFFIC SIGN SUMMARY													
IDENTIFICATION NUMBER	SIZE OF SIGN (in)		LEGEND	TEXT DIMENSIONS (in)			NUMBER OF SIGNS REQUIRED	COLOR			SIZE AND NUMBER OF POSTS REQUIRED	UNIT AREA (SF)	TOTAL AREA (SF)
	WIDTH	HEIGHT		LETTER HEIGHT	VERTICAL SPACING	ARROW RTE. MKR		BACK-GROUND	LEGEND	BORDER			
R5-11(sp)	30	24				1	3	WHITE	BLACK	BLACK	3	5.00	15.00
W11-2	30	30					4	YELLOW	BLACK	BLACK	2	6.25	25.00
W16-7PL	24	12					2	YELLOW	BLACK	BLACK	0 MOUNT W/ W11-2	2.00	4.00
W16-7PR	24	12					2	YELLOW	BLACK	BLACK	0 MOUNT W/ W11-2	2.00	4.00
D1-2	66	12	SEE BELOW	2.5D	2.5 2.0 2.5	1.0	1	BROWN	WHITE	WHITE	2	PAID UNDER ITEM 832.3	



NOTES:
1. SEE 2009 MANUAL ON UNIFORM TRAFFIC CONTROL DEVICES FOR STREETS AND HIGHWAYS FOR TEXT AND LEGEND DIMENSIONS.